

## 20BY46

### 典型应用领域:

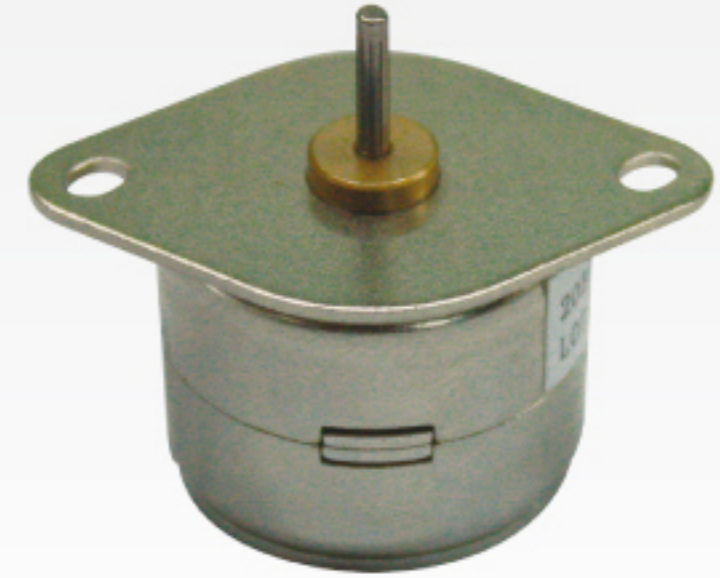
精密光学仪器

电脑周边设备

### Typical Applications:

Precision Optics Instrument

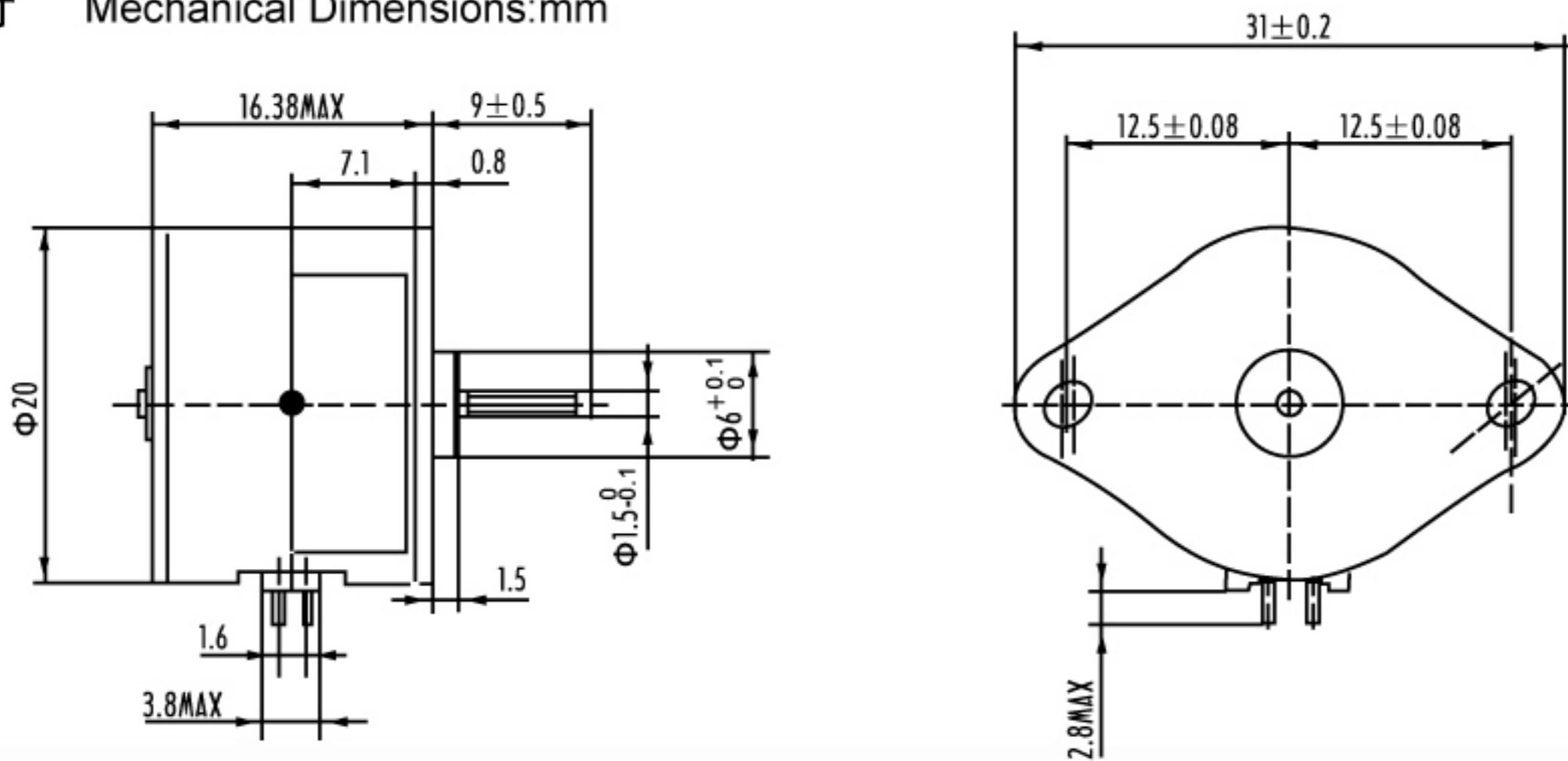
Computer Peripheral Equipment



### 性能参数 Performance Parameters

电机尺寸 Motor Size	步进角 Step Angle	驱动方式 Drive Method	驱动电路 Drive Circuit	驱动电压 Drive Voltage	电流 Current /phase	线圈电阻 Coil Resistance /phase	驱动IC Drive IC	磁铁材质 Magnet material	绝缘电阻 Insulation Resistance	绝缘耐压 Dielectric Strength	绝缘等级 Class of Insulation	工作温度 Operating Temp	储存温度 Storage Temp	运行杂声 Operating Hum
20mm	24(15°/Step)	2-2 PHASE	BIPOLAR CHOPPER 双极	10.2[V]	-	80[Ω]	L297/298	Nd-Fe-B	100M[Ω]MIN	AC 500[V]1[min]	CLASS E	-10[°C] ~50[°C]	-30[°C] ~80[°C]	20[%]RH ~90[%]RH

### 机械尺寸 Mechanical Dimensions:mm



### 矩频曲线图 Frequency-torque characteristics

