

## 32BY46L

### 典型应用领域:

汽车空调  
商用加湿机  
阀门控制  
洁具

### Typical Applications:

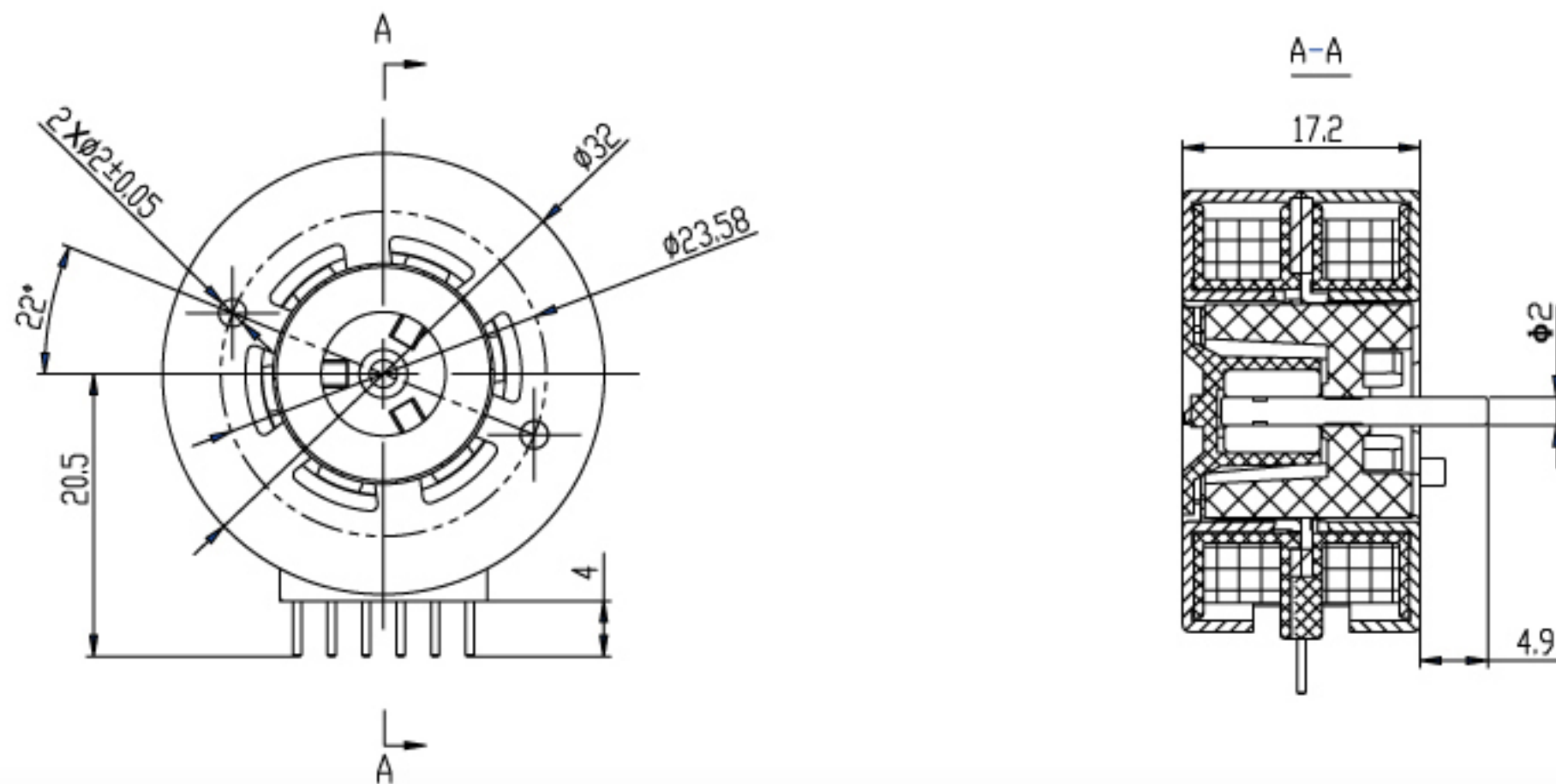
Automotive Air Conditioning  
Commercial Humidifier  
Valve Control  
Sanitary Appliance



### 性能参数 Performance Parameters

电机尺寸 Motor Size	步进角 Step Angle	驱动方式 Drive Method	驱动电路 Drive Circuit	驱动电压 Drive Voltage	电流 Current /phase	线圈电阻 Coil Resistance /phase	驱动IC Drive IC	磁铁材质 Magnet material	绝缘电阻 Insulation Resistance	绝缘耐压 Dielectric Strength	绝缘等级 Class of Insulation	工作温度 Operating Temp	储存温度 Storage Temp	运行杂声 Operating Hum
32mm	24(15°/Step)	2-2 PHASE 2-2相	UNIPOLAR CONST.VOLT	12[V]	—	65[Ω]	—	PLASTIC MAGNET	100M[Ω]MIN	AC 500[V]1[min]	CLASS E	-40[°C] ~80[°C]	-20[°C] ~60[°C]	45[%]RH ~85[%]RH

### 机械尺寸 Mechanical Dimensions:mm



### 矩频曲线图 Frequency-torque characteristics

32BY46L UNIPOLAR CONST.VOLT(at12[V],65[Ω])

