

## 55BY412L

### 典型应用领域:

- 办公自动化
- 打印机
- 复印机
- 阀门控制
- 特殊用途

### Typical Applications:

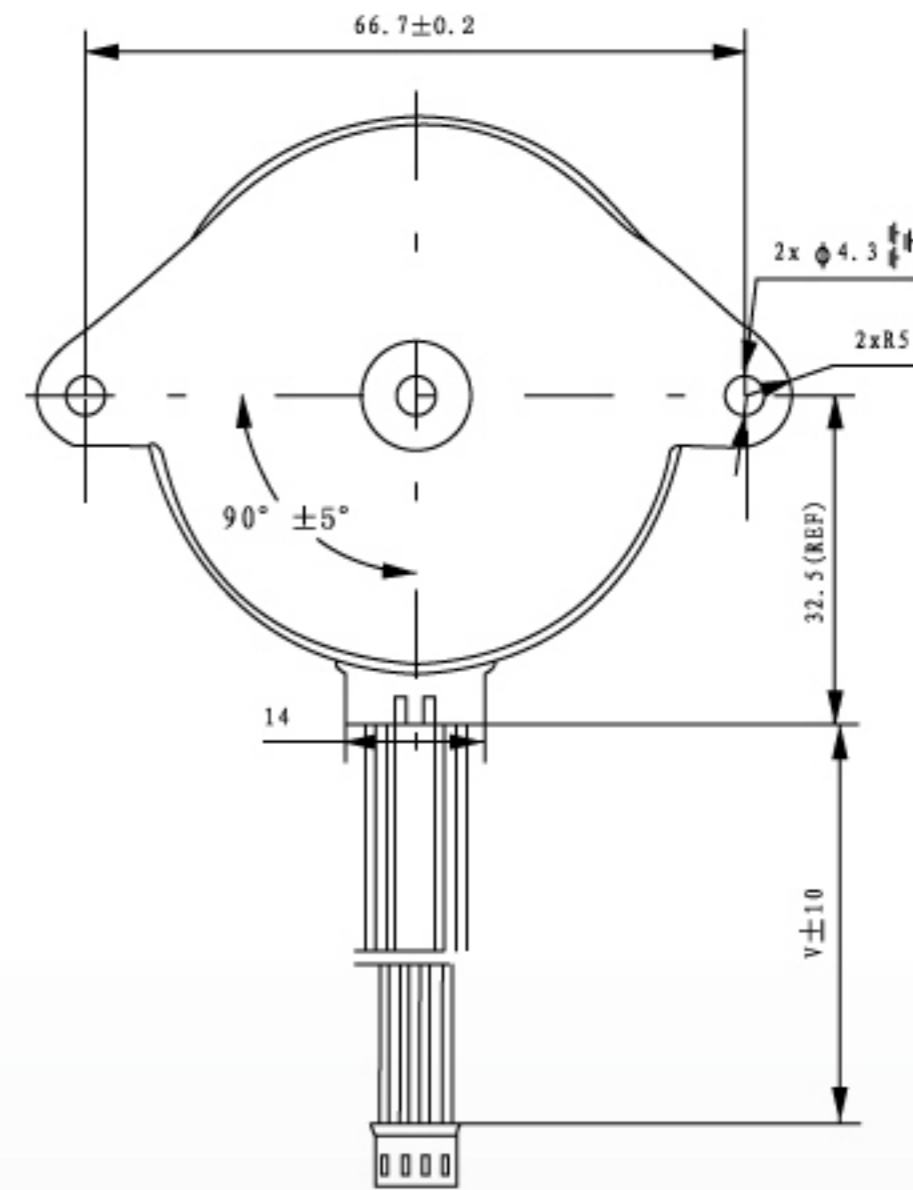
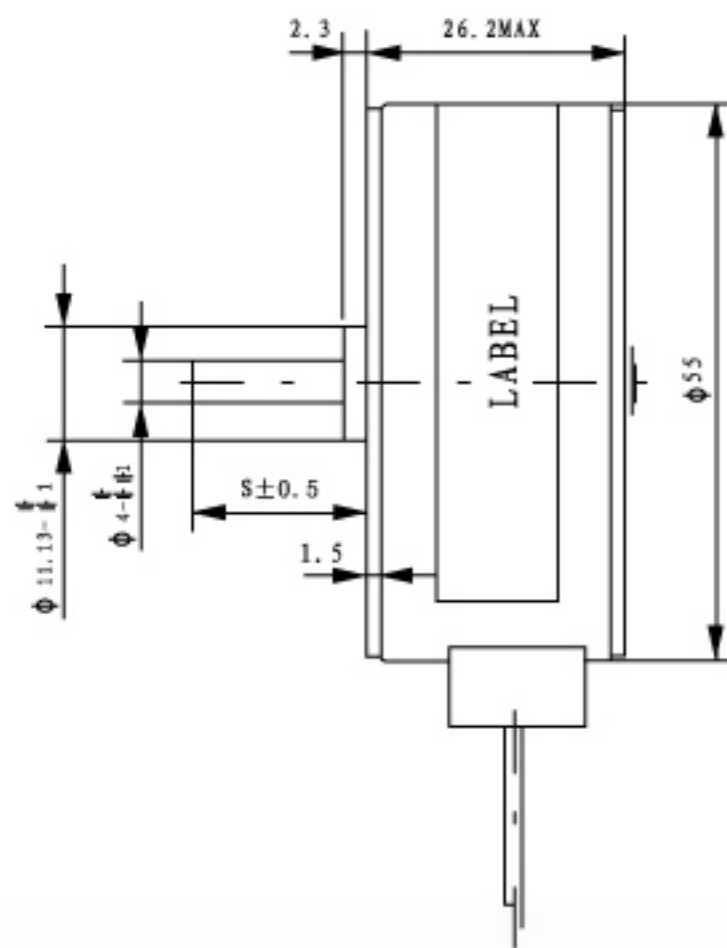
- OA
- Printer
- Copycat
- Valve Control
- Special-Purpose



### 性能参数 Performance Parameters

电机尺寸 Motor Size	步进角 Step Angle	驱动方式 Drive Method	驱动电路 Drive Circuit	驱动电压 Drive Voltage	电流 Current /phase	线圈电阻 Coil Resistance /phase	驱动IC Drive IC	磁铁材质 Magnet material	绝缘电阻 Insulation Resistance	绝缘耐压 Dielectric Strength	绝缘等级 Class of Insulation	工作温度 Operating Temp	储存温度 Storage Temp	运行杂声 Operating Hum
55mm	48(7.5°/Step)	2-2 PHASE 2-2相	UNIPOLAR CONST.VOLT	24[V]	-	40[Ω]	SLA7024M Sanken	Nd-Fe-B bonded magnet	100M[Ω]MIN	AC 500[V]1[min]	CLASS E	-10[°C] ~50[°C]	-30[°C] ~80[°C]	20[%]RH ~90[%]RH

### 机械尺寸 Mechanical Dimensions:mm



### 矩频曲线图 Frequency-torque characteristics

55BY412L UNIPOLAR CONST.VOLT(at24[V],40[Ω])

