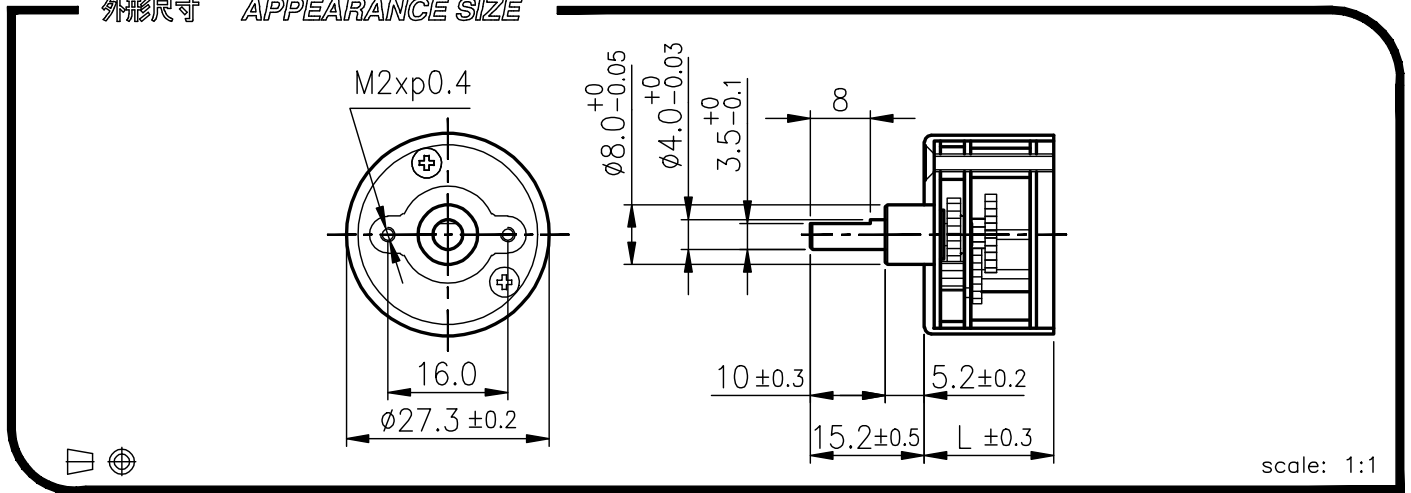


# RA-25



外殼材質 Housing material	金屬 metal	背隙 (無負荷時) Backlash, at no-load	≤ 2°
輸出軸承型式 Bearing at output	含油軸承 Sleeve bearings		
徑向負荷 Radial load (10mm from flange)	≤ 0.3 kgf		
軸向負荷 Shaft axial load	≤ 0.2 kgf		
主軸最大承受壓入力 Shaft press fit force, max.	≤ 2 kgf		
徑向間隙 Radial play of shaft	≤ 0.05 mm		
軸向間隙 Thrust play of shaft	≤ 0.3 mm		

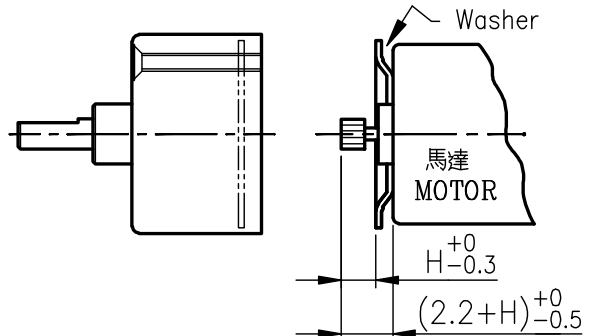
外形尺寸 APPEARANCE SIZE



馬達齒輪型式 / PINION SPECIFICATIONS

模數 Module	0.3					
齒數 No. of teeth	12			11		
壓力角 Pressure angle	20°					
孔徑 Hole diameter	ø1.98					
減速比 Reduction ratio	1/6	1/21	1/100	1/10	1/15	1/30
	1/170	1/200	1/250	1/44	1/60	1/77
	1/320	1/400	1/500	1/112	1/150	1/360
	1/700	1/800		1/900	1/1150	

馬達裝卸方法 / MOTOR INSTALLATION



標準減速比型式 / GEARBOXES SPECIFICATIONS

★ 使用相對溼度: 20%~85%RH    ★ 使用溫度範圍: -10°C~+60°C  
Operating relative humidity    Operating temperature range

減速比 Reduction ratio	精確減速比 Exact reduction ratio	定格容許扭力 Rated tolerance torque	瞬間容許扭力 Max momentary tolerance torque	效率 Efficiency	L	H	重量 Weight ( g )
1/6,1/10	6 1/4, 10	0.3 kgf-cm Max.	0.9 kgf-cm	81%	17.3	5.7	33.0
1/15,1/21	15, 21 1/3	0.4 kgf-cm Max.	1.2 kgf-cm	73%	17.3	4.4	34.0
1/30,1/44	30, 44	0.6 kgf-cm Max.	1.8 kgf-cm	65%	17.3	4.4	35.0
1/60,1/77	60, 76 4/5	0.8 kgf-cm Max.	2.4 kgf-cm	65%	17.3	4.4	35.0
1/100,1/112	100 28/225, 112 16/25	1.0 kgf-cm Max.	3.0 kgf-cm	65%	17.3	4.4	36.0
1/150,1/170	150, 170 2/3	1.2 kgf-cm Max.	3.6 kgf-cm	50%	17.3	2.8	36.0
1/200,1/250	200 56/225, 250 14/45	1.2 kgf-cm Max.	3.6 kgf-cm	50%	17.3	2.8	36.0
1/320,1/360	320 448/1125, 360 56/125	1.2 kgf-cm Max.	3.6 kgf-cm	50%	17.3	2.8	36.0
1/400,1/500	400 112/225, 500 28/45	1.5 kgf-cm Max.	4.5 kgf-cm	40%	19.3	2.8	37.0
1/700,1/800	699 19/375, 800 224/225	1.5 kgf-cm Max.	4.5 kgf-cm	40%	19.3	2.8	37.0
1/900,1/1153	901 3/25, 1153 271/625	1.5 kgf-cm Max.	4.5 kgf-cm	40%	19.3	2.8	37.0