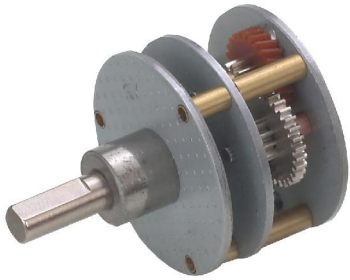
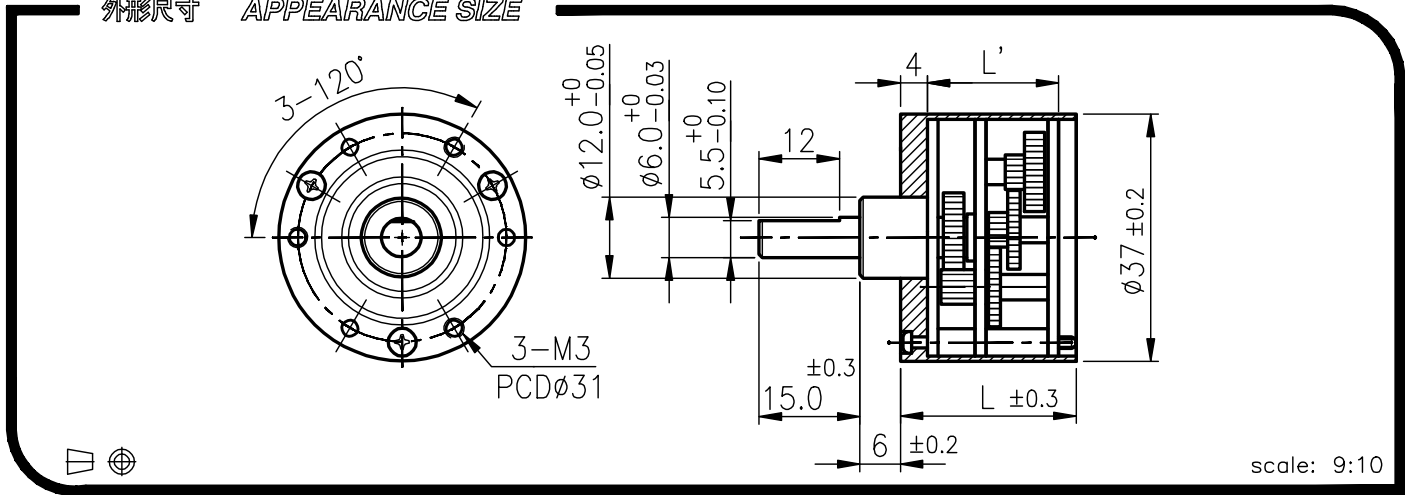


RA-35C



外殼材質 Housing material	金屬 metal	背隙 (無負荷時) Backlash, at no-load	≤ 2°
輸出軸承型式 Bearing at output		含油軸承 Sleeve bearings	
徑向負荷 Radial load (10mm from flange)			≤ 1 kgf
軸向負荷 Shaft axial load			≤ 0.7 kgf
主軸最大承受壓入力 Shaft press fit force, max.			≤ 5 kgf
徑向間隙 Radial play of shaft			≤ 0.05 mm
軸向間隙 Thrust play of shaft			≤ 0.35 mm

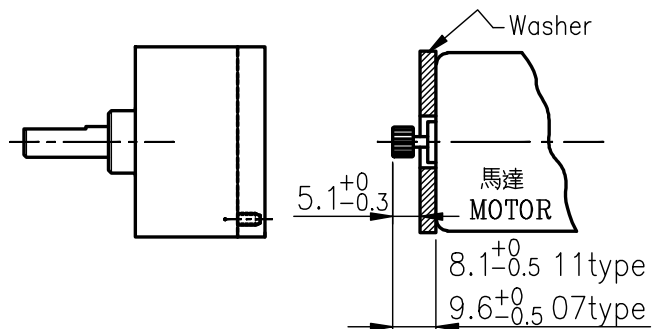
外形尺寸 APPEARANCE SIZE



馬達齒輪型式 / PINION SPECIFICATIONS

模數 Module	0.5	
齒數 No. of teeth	10	
壓力角 Pressure angle	20°	
螺旋角 Helix angle	--	18°(左, left)
孔徑 Hole diameter	Ø1.98, Ø2.28, Ø2.48, Ø2.98, Ø3.16	
減速比 Reduction ratio	全種通用 Practicable	

馬達裝卸方法 / MOTOR INSTALLATION



標準減速比型式 / GEARBOXES SPECIFICATIONS

★ 使用相對溼度: 20%~85%RH ★ 使用溫度範圍: -10°C~+60°C
Operating relative humidity Operating temperature range

減速比 Reduction ratio	定格容許扭力 Rated tolerance torque	瞬間容許扭力 Max momentary tolerance torque	效率 Efficiency	L'	L	重量 Weight (g)
1/6.25	1 kgf-cm Max.	3 kgf-cm	81%	14.8	21.8	97
1/15.62, 1/18.75, 1/20.83	2 kgf-cm Max.	6 kgf-cm	73%	17.6	24.6	103
1/31.25, 1/37.5, 1/46.87	3 kgf-cm Max.	9 kgf-cm	66%	20.1	27.1	109
1/56.25, 1/62.5, 1/69.4	4 kgf-cm Max.	12 kgf-cm	66%	20.1	27.1	109
1/75, 1/93.75, 1/104.16, 1/112.5	5 kgf-cm Max.	15 kgf-cm	59%	22.5	29.5	117
1/125, 1/156.25, 1/168.75, 1/187.5	6 kgf-cm Max.	18 kgf-cm	59%	22.5	29.5	117
1/219, 1/234, 1/250, 1/281, 1/312, 1/375	6 kgf-cm Max.	18 kgf-cm	53%	25.0	32.0	121
1/422, 1/437.5, 1/469, 1/562.5, 1/625	6 kgf-cm Max.	18 kgf-cm	53%	25.0	32.0	121
1/750, 1/937.5, 1/1250, 1/1875	6 kgf-cm Max.	18 kgf-cm	48%	27.5	34.5	128
1/2812.5, 1/3750, 1/5625	6 kgf-cm Max.	18 kgf-cm	43%	30.0	37.0	131