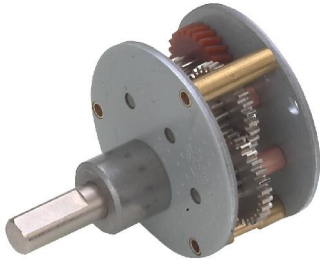
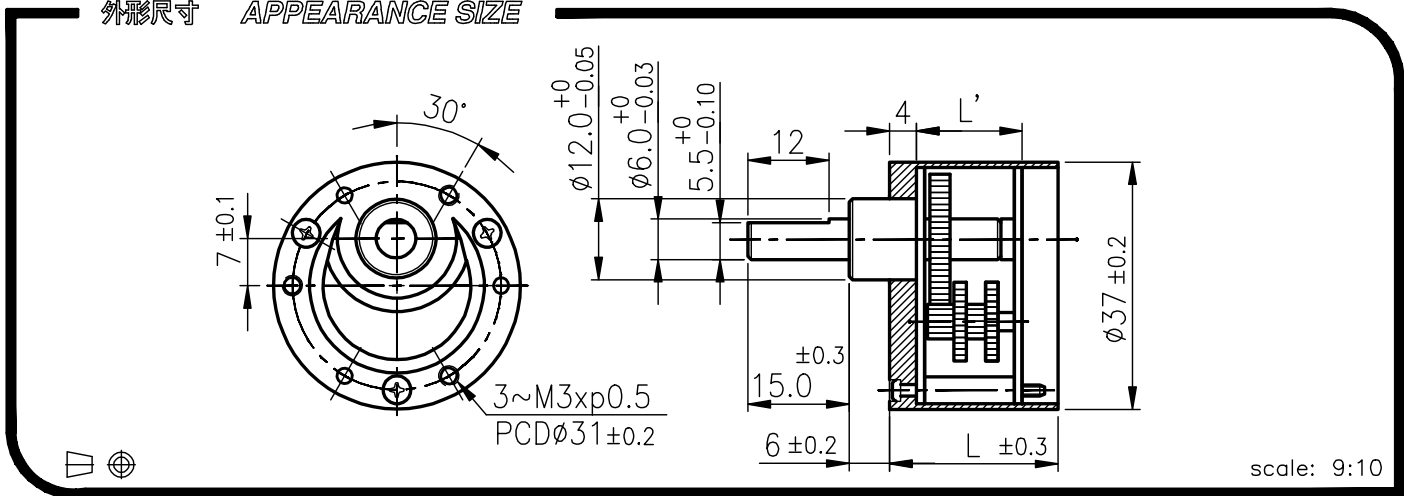


RB-35C



外殼材質 Housing material	金屬 metal	背隙 (無負荷時) Backlash, at no-load	≤ 2°
輸出軸承型式 Bearing at output	含油軸承 Sleeve bearings		
徑向負荷 Radial load (10mm from flange)	≤ 1 kgf		
軸向負荷 Shaft axial load	≤ 0.7 kgf		
主軸最大承受壓入力 Shaft press fit force, max.	≤ 20 kgf		
徑向間隙 Radial play of shaft	≤ 0.05 mm		
軸向間隙 Thrust play of shaft	≤ 0.35 mm		

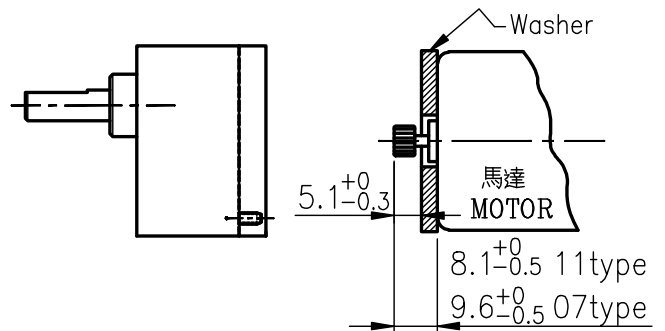
外形尺寸 APPEARANCE SIZE



馬達齒輪型式 / PINION SPECIFICATIONS

模數 Module	0.5	
齒數 No. of teeth	10	
壓力角 Pressure angle	20°	
螺旋角 Helix angle	--	18°(左, left)
孔徑 Hole diameter	Ø1.98 , Ø2.28 , Ø2.48 , Ø2.98 , Ø3.16	
減速比 Reduction ratio	全種通用 Practicable	

馬達裝卸方法 / MOTOR INSTALLATION



標準減速比型式 / GEARBOXES SPECIFICATIONS

★ 使用相對溼度: 20%~85%RH ★ 使用溫度範圍: -10°C~+60°C
Operating relative humidity Operating temperature range

減速比 Reduction ratio	定格容許扭力 Rated tolerance torque	瞬間容許扭力 Max momentary tolerance torque	效率 Efficiency	L'	L	重量 Weight (g)
1/6 , 1/10	1 kgf-cm Max.	3 kgf-cm	81%	12.5	19.5	86
1/18	1 kgf-cm Max.	3 kgf-cm	73%	15.0	22.0	93
1/30	2 kgf-cm Max.	6 kgf-cm	73%	15.0	22.0	93
1/50 , 1/60 , 1/70	3 kgf-cm Max.	9 kgf-cm	66%	17.5	24.5	100
1/75 , 1/90	4 kgf-cm Max.	12 kgf-cm	66%	17.5	24.5	100
1/100	6 kgf-cm Max.	18 kgf-cm	66%	17.5	24.5	100
1/120 , 1/150 , 1/180 , 1/200 , 1/250 , 1/300	6 kgf-cm Max.	18 kgf-cm	59%	20.0	27.0	106
1/350 , 1/400 , 1/450 , 1/500 , 1/600 , 1/700	6 kgf-cm Max.	18 kgf-cm	53%	22.5	29.5	112
1/750 , 1/900 , 1/1000	6 kgf-cm Max.	18 kgf-cm	53%	22.5	29.5	112
1/1500 , 1/3000	6 kgf-cm Max.	18 kgf-cm	48%	25.0	32.0	120