

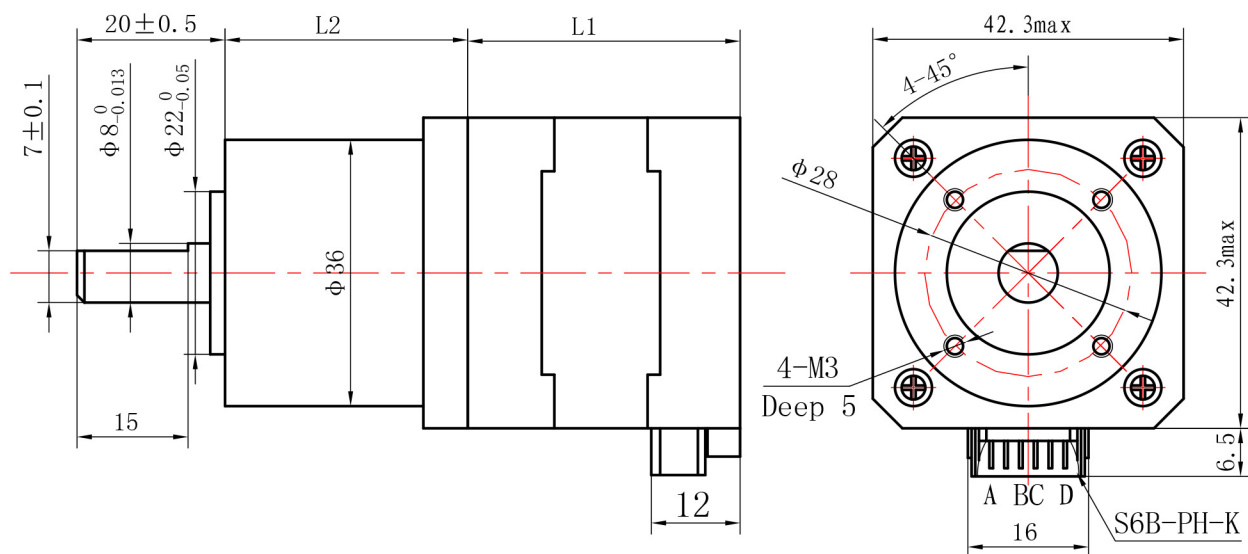
42行星减速 42×42 NEMA17-G

主要特性 Key features

- Housing Material: Metal
- Backlash at No-Load: $\leq 1^\circ$
- Bearing at Output: Ball or Sleeve
- Permissible Overhung Load: $\leq 10\text{kg}$
- Permissible Thrust Load: $\leq 5\text{kg}$
- Max. Radial Play: $\leq 0.05\text{mm}$
- Max. Thrust Play: $\leq 0.3\text{mm}$

照片

外形尺寸 Figure dimensions



电机参数 Motor Specifications

| 型号 Model | 保持转矩 Holding torque | 额定电流 Rated current | 相电阻 Resistance per phase | 相电感 Inductance per phase | 定位转矩 Detent torque | 转动惯量 Rotor inertia | 出线数 Lead wire | 机身厚度 Motor length (L1) |
|-------------|------------------------|-----------------------|-----------------------------|-----------------------------|-----------------------|-----------------------|------------------|---------------------------|
| | mN. m | A | Ω | mH | mN. m | g. cm^2 | NO. | mm |
| 42SHD0001 | 260 | 0.4 | 30 | 37 | 12 | 38 | 4 | 34 |
| 42SHD0002 | 280 | 0.6 | 22 | 28 | 12 | 38 | 4 | |
| 42SHD0009 | 200 | 0.4 | 30 | 21 | 12 | 38 | 6 | |
| 42SHD0029 | 200 | 1.2 | 2.1 | 1.2 | 12 | 38 | 6 | 40 |
| 42SHD0202 | 400 | 0.5 | 25 | 50 | 18 | 57 | 4 | |
| 42SHD0216 | 400 | 1.0 | 4.5 | 10 | 18 | 57 | 4 | |
| 42SHD0219 | 300 | 1.2 | 3.2 | 3.0 | 18 | 57 | 6 | 48 |
| 42SHD0404 | 450 | 1.5 | 2.0 | 2.8 | 37 | 72 | 4 | |
| 42SHD0441 | 420 | 1.2 | 3.2 | 6 | 37 | 72 | 4 | 60 |
| 42SHD0801 | 600 | 1.5 | 2.0 | 3.2 | 42 | 102 | 4 | |