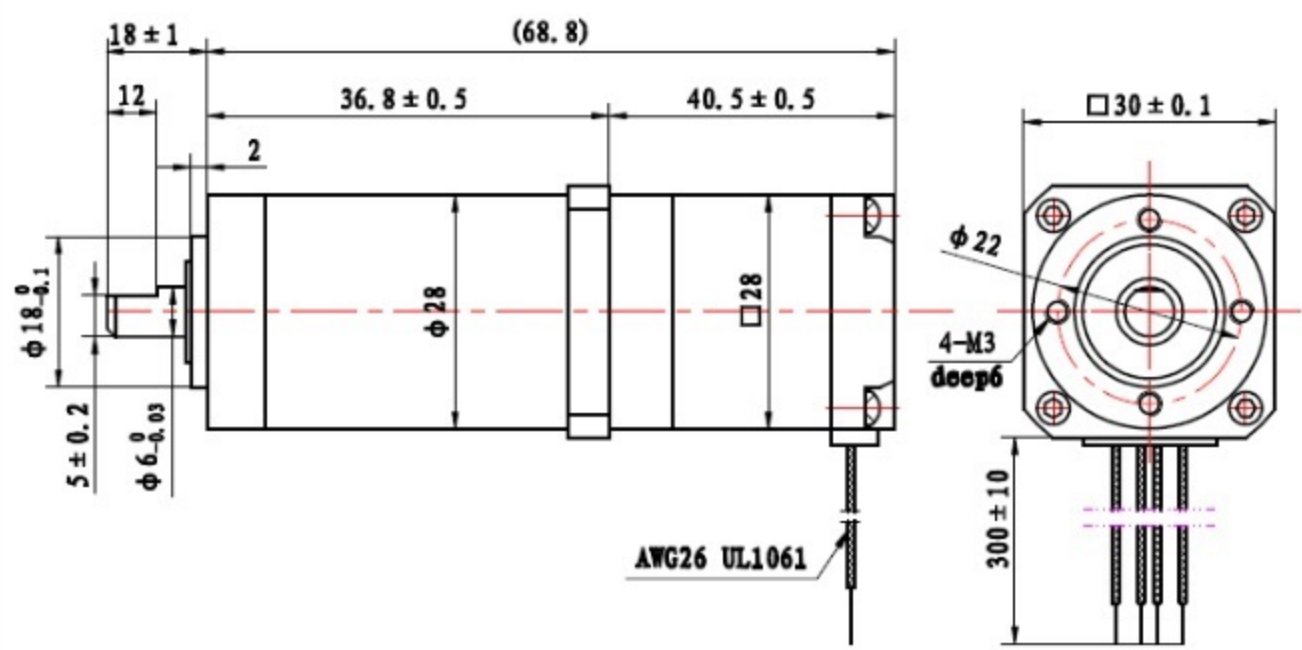


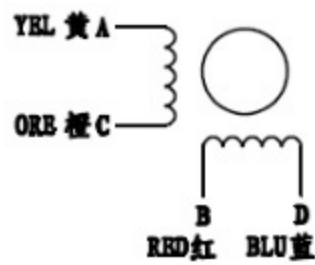
GEAR HYBRID STEPPING MOTOR

28SHD4301-19G

General specification		Electrical specification	
Step angle	1.8° / 19 ³⁸ / ₁₈₇	Rated voltage	3.6V
Number of phase	2	Rated current	0.95A
Insulation resistane	100MΩmin. (500V DC)	Resistance per phase	3.8Ω ± 10%
Insulation class	Class B	Inductance per phase	2.0mH ± 20%
Rotor inertia	12g.cm ²	Holding torque	100mN.m
Mass	0.25kg	Out torque (ref)	0.65N.m (at600pps)
		Gear redution ratio	1:19 ³⁸ / ₁₈₇



Wiring diagram



Note: