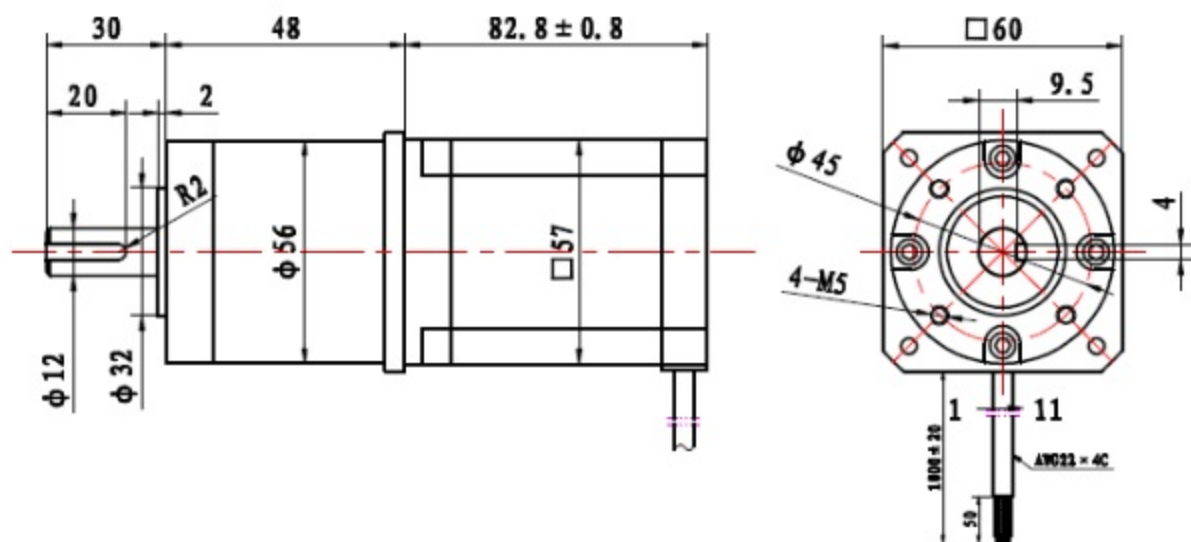


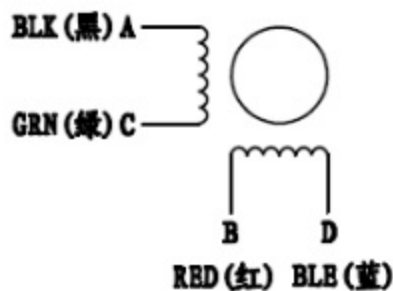
PLANET GEAR STEPPER MOTOR

57SHD4902-C05

General specification		Electrical specification	
Step angle	1.8°	Rated voltage	2.52V
Number of phase	2	Rated current	4.2A
Insulation resistane	100MΩmin. (500V DC)	Resistance per phase	0.6Ω ± 10%
Insulation class	Class B	Inductance per phase	2.4mH ± 20%
Rotor inertia	480g. cm ²	Holding torque	2.2N.m
Mass	1.2kg	Detent torque	0.078mN.m
Gear redution ratio	1 : 4.25	Out torque (ref)	5.2N.m (at120RPM)



Wiring diagram



Note: